



**Quotation (Ref.Comp.Sc./PURCH/Furniture/18-19 dated 22.11.2018) is invited for the following item from eligible vendors having at least ten years of selling experience to Government funded academic institutes. The last date for submission is 15.12.2018**

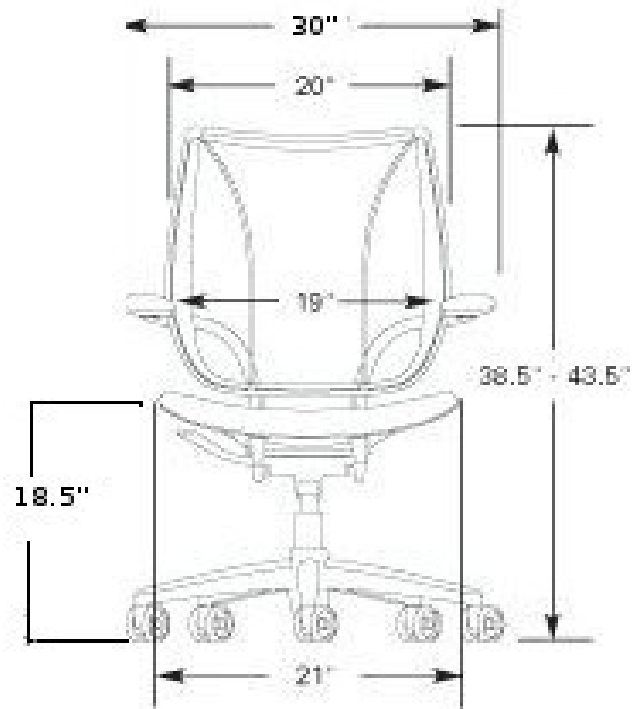
Item	Specification	Qty
Computer Chair	Specification as described below	15

### **Specifications for Computer Chairs:**

- The chair shall come with the dimensions of 30 inch (W) x 30 inch (D) x 38.5 – 43.5 inch (H). The seat height shall be 17.5-21.5 inch. The back size shall be 18.5 inch (W) x 22.5 inch (H). The seat size shall be 18.5 inch (W) x 19 inch (D).
- The seat and back shall be made up of 0.5 inch +/- 0.01 inch (2mm approx.) thick hot pressed plywood and upholstered with fabric upholstery covers and molded polyurethane foam. **The back foam is designed with contours lumbar support for extra comfort. The seat has extra thick foam on front edge to give comfort to popliteal area.** The High Resilience Polyurethane foam is molded with the density of 45+/-2 Kg/m<sup>3</sup> and hardness load 16+/-2 Kgf as per IS: 7888 for 25% compression. The one piece armrests are molded from black co-polymer Polypropylene.
- The chair shall be 360 degree revolving type and shall be designed with upright position locking with tilt tension adjustment. The seat/back tilting ratio shall be 1:3. The pneumatic height adjustment shall have an adjustment stroke of 4.5+/- 0.2 inch. The bellow shall be 3 piece telescopic type and injection molded in black polypropylene. The pedestal shall be injection molded in black 33% glass filled nylon-66 and fitted with 5 nos. twin wheel castors.
- The pedestal dia shall be 26 inch +/-0.25 inch. The twin wheel castors shall be injection molded in black nylon.

### **Note:**

±5% variations in all above dimensions are permissible.



**An approximate diagram of the computer chair with measurement.**



- The shortlisted vendors may be asked to give a live demonstration of their product.
- The decision to choose among the shortlisted vendor(s) is the prerogative of the administration. Solicitation will be categorically rejected.
- The entire purchase process is regulated by the rules of the University of Burdwan.
- The University of Burdwan reserves the right to accept or reject any or all the offer including the lowest without assigning any reason.
- The University does not bind itself to accept the lowest offer.
- The entire purchase process is regulated by the rules of the University of Burdwan.

**A representative image of a Computer chair is provided below.**





---

### Documents to be submitted

1. All pages of this BID document should be duly signed by the authorised signatory as a token of acceptance of all terms and conditions by the bidder. Any other document submitted by the bidder should also be signed by the authorized signatory.
2. Statement indicating experience of supplying such items & working with Govt. / Departments/PSUs, etc
3. Self attested copy of GST Service TAX Registration number, if applicable.
4. Self attested copy of PAN/Number.
5. Self attested copy of return for last month/quarter as the case may be submitted towards GST if applicable.
6. Self attested copies of IT returns for the last three years filed by the agency
7. Self attested copy Audited Accounts for details of turn over for the year 2016-17
8. Bank Account No. of the Firm with IFS code & Bank Branch Name

**Name of the Bidder** \_\_\_\_\_ **(in Block letters)**

**Signature:**

\_\_\_\_\_

**Address:**

\_\_\_\_\_  
\_\_\_\_\_  
\_\_\_\_\_

Quotation (Ref.Comp.Sc./PURCH/Desktop&WAP(6/2)/18-19 dated 22.11.2018) is invited from authorised Channel partners of HP/Dell/Lenovo/Equivalent for item#1, item#2, authorised sellers of Microsoft for item#3, authorised sellers of Cisco gears for item #4, item#5. The last date for submission is 15.12.2018.

Sl.No.	Description	Qty
#1.	Desktop computer Intel 8 <sup>th</sup> generation i3 processor i3 8100 3.6 Ghz, Intel H110 chipset, 1x4Gb DDR4 RAM, 1 Tb 7200 RPM HDD. <b>Network connectivity :-</b> <b>02.11a/b/g/n/aC (1x1) Wi-Fi, Gigabit Ethernet.</b> Bluetooth 4.2, USB Kbd, Optical scroll mouse, 18.5” LED monitor, Free DOS	Six
#2.	2 years on-site extended warranty.	Six
#3.	MS Windows 10 Pro 32/64 bit	One
#4.	<b>Cisco Access Point WAP581</b> <b>Connectivity technology</b> <b>Wireless-AC, Wave 2 Data</b> <b>Link protocol IEEE</b> <b>802.11a/b/g/n/aC</b>	One
#5.	<b>Cisco Access Point WAP571</b> <b>Connectivity technology</b> <b>Wireless-AC, Data Link</b> <b>protocol IEEE</b> <b>802.11a/b/g/n/aC</b>	One

- The decision to choose among the shortlisted vendor(s) is the prerogative of the administration. Solicitation will be categorically rejected.
- The entire purchase process is regulated by the rules of the University of Burdwan.
- The University of Burdwan reserves the right to accept or reject any or all the offer including the lowest without assigning any reason.
- The University does not bind itself to accept the lowest offer.
- The entire purchase process is regulated by the rules of the University of Burdwan.

## **Documents to be submitted**

1. All pages of this BID document should be duly signed by the authorised signatory as a token of acceptance of all terms and conditions by the bidder. Any other document submitted by the bidder should also be signed by the authorized signatory.
2. Statement indicating experience of supplying such items & working with Govt. / Departments/PSUs, etc
3. Self attested copy of GST Service TAX Registration number, if applicable.
4. Self attested copy of PAN/Number.
5. Self attested copy of return for last month/quarter as the case may be submitted towards GST if applicable.
6. Self attested copies of IT returns for the last three years filed by the agency
7. Self attested copy Audited Accounts for details of turn over for the year 2016-17
8. Bank Account No. of the Firm with IFS code & Bank Branch Name

**Name of the Bidder** \_\_\_\_\_ **(in Block letters)**

**Signature:**

\_\_\_\_\_

**Address:**

\_\_\_\_\_  
\_\_\_\_\_  
\_\_\_\_\_