



THE UNIVERSITY OF BURDWAN

Computer Centre

GOLAPBAG, BURDWAN-713 104

WEST BENGAL, INDIA

Phone : (091)-342-2656843

E-Mail: webmaster@buruniv.ac.in

NOTICE

Date : 11th December, 2019

Sealed quotations are hereby invited from the ISO certified companies having at least 10 years of experience in network management for the following.

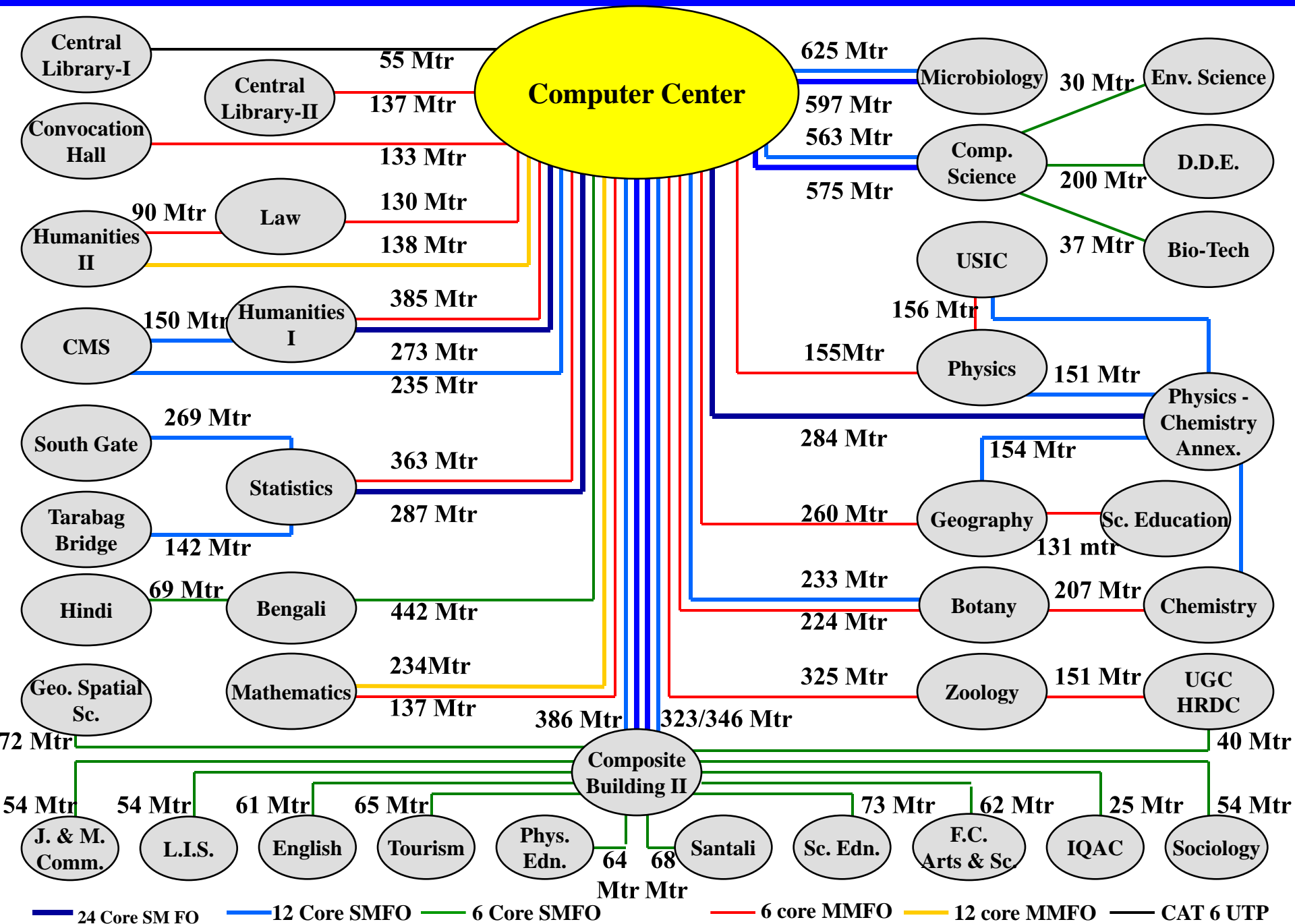
1. Annual Maintenance Contract for LAN in the university campus	
a)	New OFC laying (500 mtr. Approx.) and repairing/replacing of existing OFC (as and when required) including supply of G.I./HDPE pipe and other accessories as per specifications mentioned. OFC will be supplied by B.U. The laying of OFC must be as per following specifications.
	i) Underground OFC laying through HDPE pipe (2.3mm to 2.4mm thickness, ISI brand) at 1 mtr. depth below the surface.
	ii) Underground OFC laying through boring at 1 mtr. depth below the surface (for road crossing) using Hot Dip Galvanized medium 1.5mm (or above) GI pipe (Material : GI Pipe C Class as per IS:1239, TATA/BANSAL brand)
	iii) Outdoor and indoor OFC laying on wall surface through 1" HDPE pipe (2.3mm to 2.4mm thickness, ISI brand) including necessary cement and brick works
b)	New UTP cable laying (900 mtr. Approx.) and repairing/replacing of existing UTP cables (as and when required). UTP cables will be supplied by B.U. The laying of UTP cables must be as per following specifications.
	Indoor UTP Cable laying following the norms of structured cabling [including supplying of materials(ISI standard) like Ferrule (for marking at both end of UTP cable), PVC pipe/casing, L, T, etc.]. Marking on cables and I/O box are to be made as per the specifications to be provided by the Computer Centre, B.U.
c)	OFC splicing for new OFC laying and existing OFC (in case of repairing / replacement) including supply of all consumables and splice boxes (bamboo type for outside OFC repairing and box type for indoor OFC repairing) and splice trays. Company should use their own devices (Splicing machines, etc.) and accessories, required for this purpose. OFC, LIU and pigtails would be supplied by B.U.
d)	Fault detection of existing OFC (as and when required). The company should use their own devices (OTDR etc.) and accessories required for these purposes.
e)	Fault detection of existing UTP connectivity (as and when required). The company should use their own testing devices and accessories required for these purposes.
f)	Fixing of new I/O boxes and existing I/O boxes (in case of repairing / replacement) including termination (both at jack panel and I/O box), labeling (as specified by Computer Centre, B.U.) and supply of accessories. Company should use their own devices (for testing & termination) and accessories, required for this purpose. UTP cables, jack panels, I/O boxes would be supplied by B.U.
g)	Fixing of LIU, Jack Panels, devices and rack dressing for both new OFC laying and existing OFC (in case of repairing / replacement) including supply of hardware nuts and other accessories. Rack, LIU, Jack Panel, network devices, OFC patch cord, UTP patch cord would be supplied by B.U.
h)	Installation and configuration of Switches and Access Points, whenever required, for connecting to the existing LAN with multiple VLAN support (Qualified manpower with CCNA/CCNP certified must be provided for configuring & installation of devices.)
i)	Cleaning and sealing of LIU and racks on regular basis.
j)	Maintenance of Point-to-point Access Point on roof top towers (of height 21 mtr. and 18 mtr.) and maintenance of towers including painting with primer & paints (ICI Red & White exterior paint)) once in a year). Access Points and outdoor STP cables would be supplied by B.U.

k)	At least two preventive maintenance services per week must be given besides on call service.
l)	On call service must be provided within twenty four hours of the call over phone or email communication.

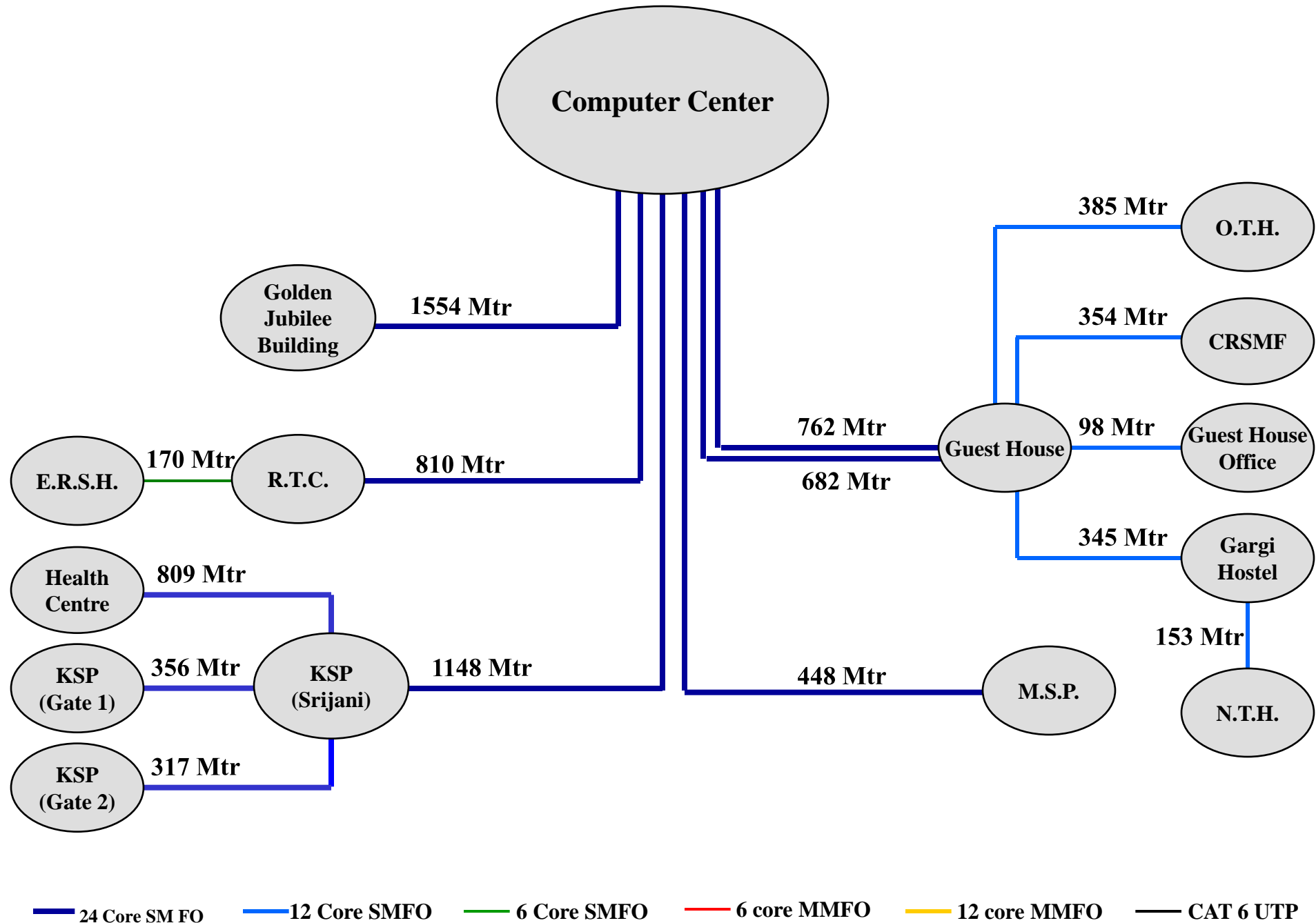
- * The company must be ISO certified - supporting documents must be enclosed.
- * The company must have at least ten years experience in network management - supporting documents (company incorporation/registration certificate) must be enclosed.
- * The company must have its Head office within 120 km. radius of Burdwan.
- * Copies of the Trade License and GST Certificates must be submitted along with the quotations.
- * Balance sheets of last three years must be submitted along with the quotations.
- * Credentials of similar services (Annual Maintenance Contract) for last three years in Government organisations must be submitted along with the quotations.
- * Supporting documents of qualified manpower (with CCNA/CCNP certified) must be enclosed.
- * Support service must be provided only by the technical personnel enrolled in the company payroll - supporting document must be provided.
- * The quotations must be properly sealed, superscribing "**Quotation for the Annual Maintenance Contract for LAN**"
- * The GST and other charges (if any) must be mentioned clearly in the quotations.
- * Payment for the annual maintenance will be made half yearly after every six months of satisfactory service.
- * Structure of existing LAN (including diagram) is enclosed.
- * **The quotation should reach the office of the undersigned latest by 26th December, 2019.**

In-Charge, Computer Centre
The University of Burdwan
Golapbag
Burdwan - 713104
Phone : 9232380329
Email : biplab_bu@yahoo.com

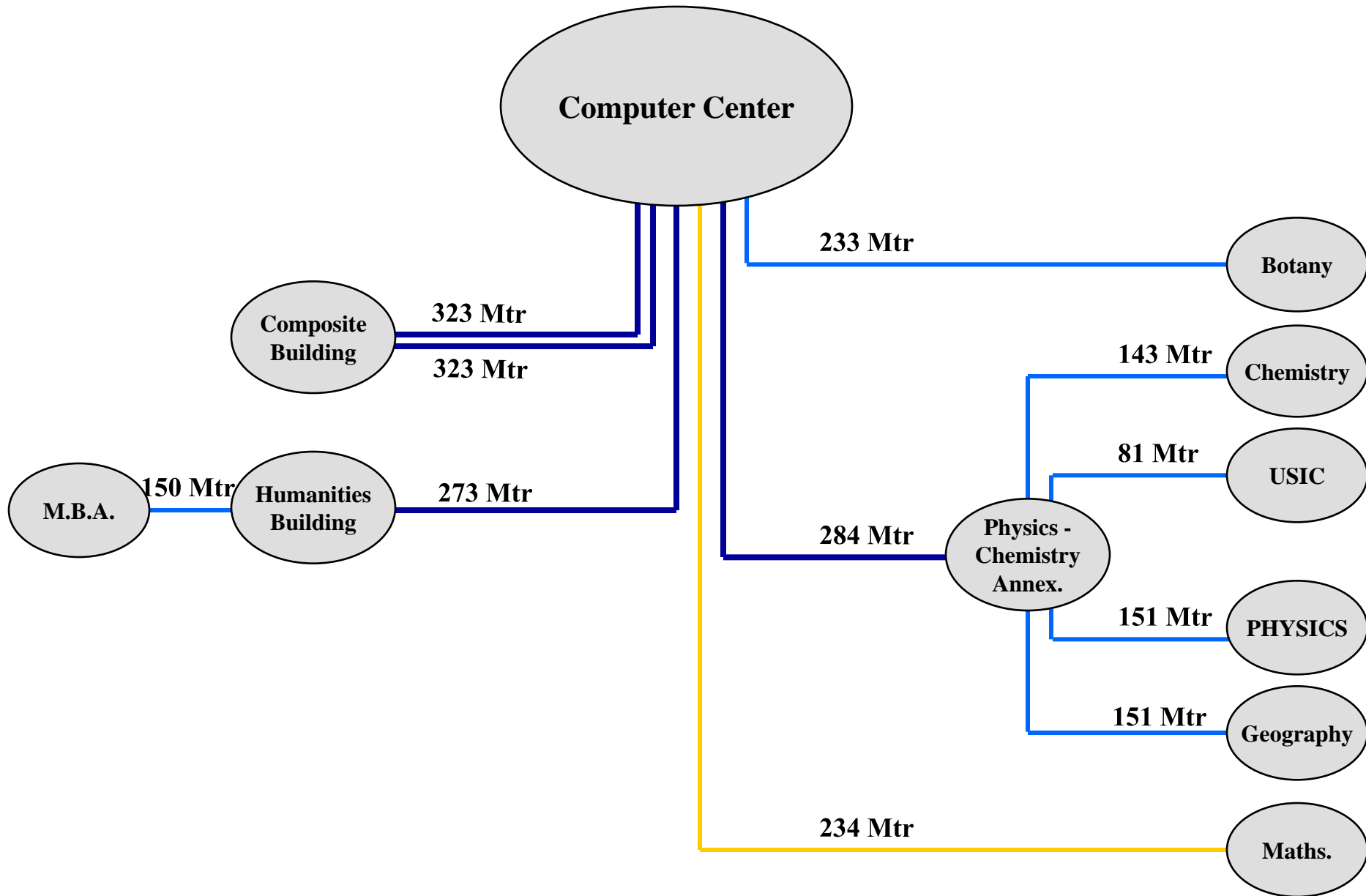
BUNET : Fiber Optic Backbone Connectivity - Academic Campus (Golapbag)



BUNET : Fiber Optic Backbone Connectivity - Residential Campus & Golden Jubilee Building



BUNET : Fiber Optic Backbone Connectivity – Academic Campus (2016-2017)



24 Core SM FO

12 Core SMFO

6 Core SMFO

6 core MMFO

12 core MMFO

CAT 6 UTP

BUNET : Internet and Fiber Optic Backbone Connectivity – Administrative Campus (Rajbati)

